

THIS DRAWING IS UNPUBLISHED.

RELEASED FOR PUBLICATION

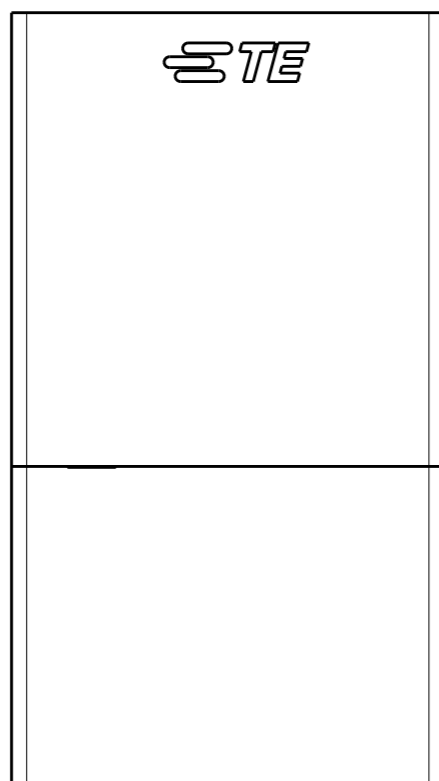
20

© COPYRIGHT 20 BY -

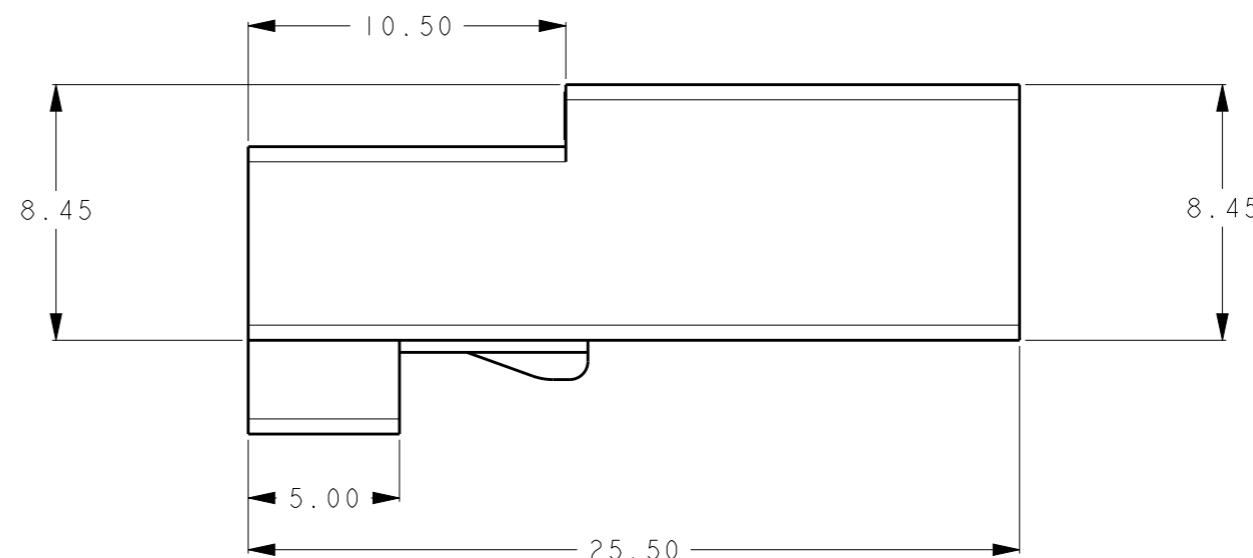
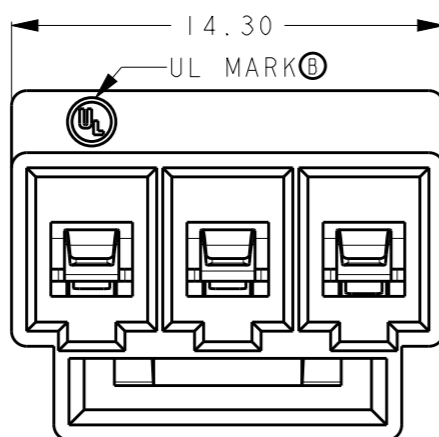
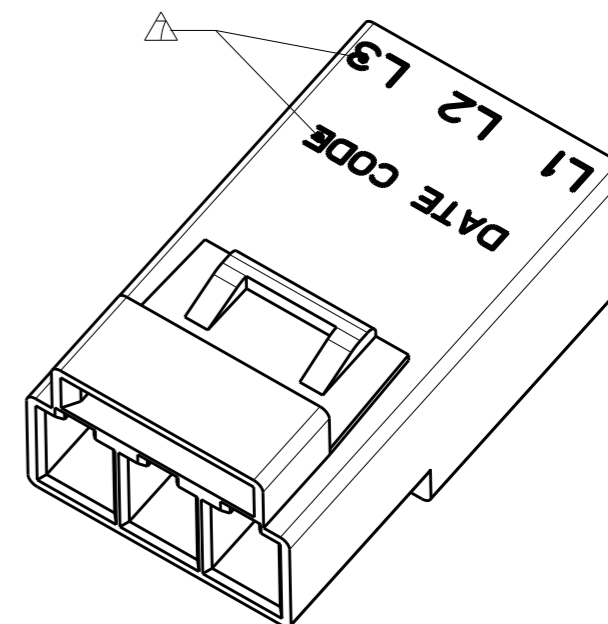
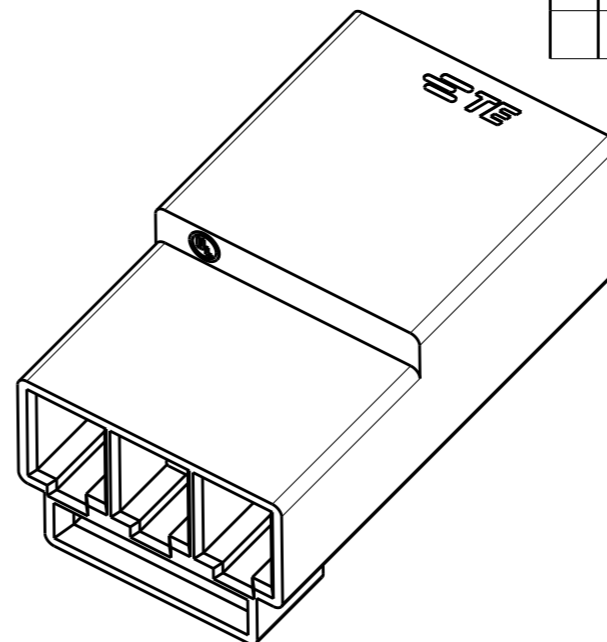
ALL RIGHTS RESERVED.

REVISIONS

| P | LTR | DESCRIPTION     | DATE         | DWN | APVD |
|---|-----|-----------------|--------------|-----|------|
|   | A   | INITIAL RELEASE | 11 JULY 2016 | W.Z | X.X  |
|   | B   | ADD UL MARK     | 16 JUL 2018  | W.Z | S.M  |
|   |     |                 |              |     |      |




DATE CODE  
 YY WW X  
 ↑ ↑ ↑  
 YY=YEAR  
 EX: 15=2015  
 WW=WEEK  
 EX: 12=12  
 X=DAY  
 EX: 5=5



NOTE:

- PART NUMBER: SEE TABLE.
  - MATERIAL:  
 TERMINAL: COPPER ALLOY  
 HOUSING: THERMOPLASTIC, UL94-V0.
  - FINISH  
 TERMINAL: TIN PLATING OVERALL.
  - PACKAGING: PLASTIC BAG.
  - APPLICABLE WIRE:  
 SOLID: 18-22AWG  
 STRANDED WIRE: 16-20AWG(26 STRANDS MAX. FOR 16AWG  
 16 STRANDS MAX. FOR 18AWG, 7 STRANDS MAX. FOR 20AWG)
- △ MARK APPROXIMATION LOCATION.

| 2834055-4   | 2834054-4   | RED        |
|-------------|-------------|------------|
| 2834055-3   | 2834054-3   | ORANGE     |
| 2834055-2   | 2834054-2   | BLACK      |
| 2834055-1   | 2834054-1   | NATURAL    |
| PART NUMBER | MATING PART | PART COLOR |

|   |  |                                |   |  |
|---|--|--------------------------------|---|--|
| THIS DRAWING IS A CONTROLLED DOCUMENT.                            |  | DWN 18DEC2015<br>ZHANG WEI     |  TE Connectivity |  |
| DIMENSIONS:<br>mm   |  | CHK 18DEC2015<br>SHI MING      |   |  |
| TOLERANCES UNLESS OTHERWISE SPECIFIED:<br>±0.50                   |  | APVD 18DEC2015<br>XU XIANG     | NAME<br>3 PIN WIRE TO WIRE CONNECTOR<br>REC ASSEMBLY  |  |
| 0-PLC ±<br>1-PLC ±<br>2-PLC ±<br>3-PLC ±<br>4-PLC ±<br>ANGLES ±1° |  | PRODUCT SPEC<br>108-137160     | SIZE CAGE CODE DRAWING NO RESTRICTED TO   |  |
| MATERIAL  |  | APPLICATION SPEC<br>114-137160 | A300779 C-2834055   |  |
| FINISH  |  | WEIGHT<br>2.32g                | SCALE 2:1 SHEET 1 OF 4 REV B  |  |
|   |  | CUSTOMER DRAWING               |   |  |

THIS DRAWING IS UNPUBLISHED.

RELEASED FOR PUBLICATION

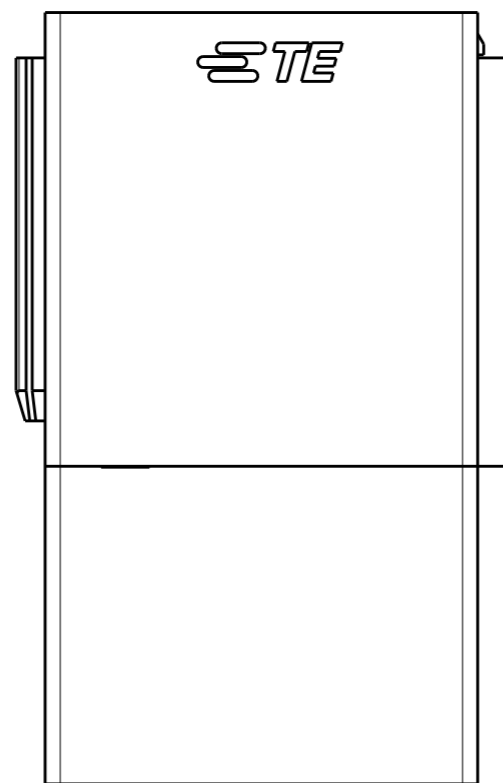
20

© COPYRIGHT 20 BY -

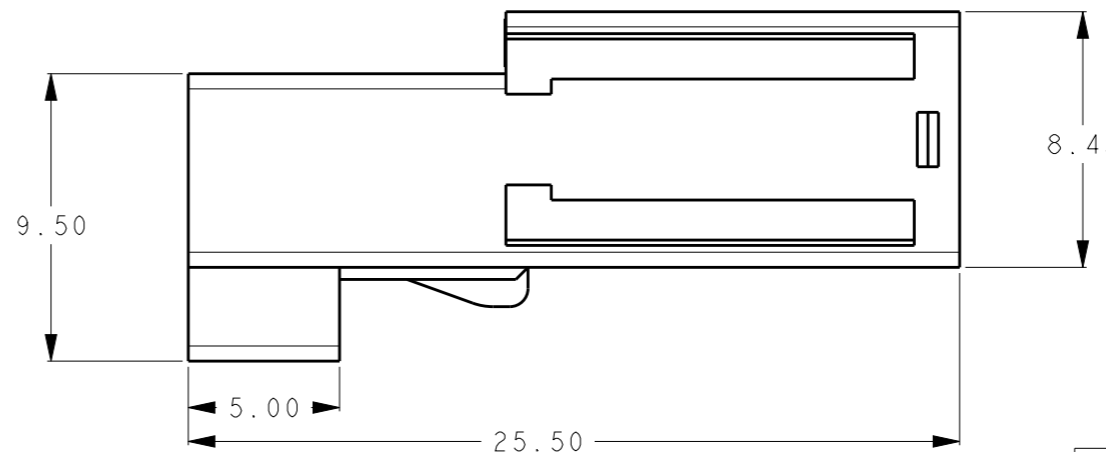
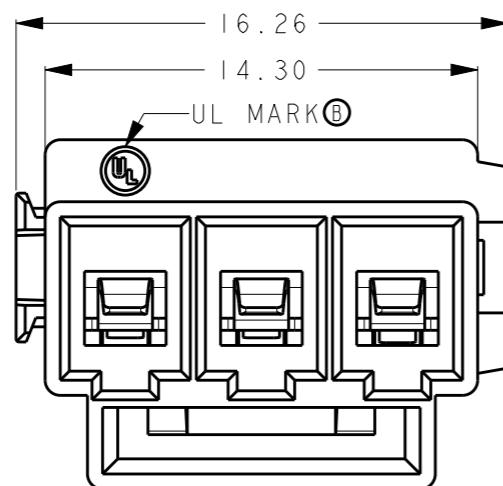
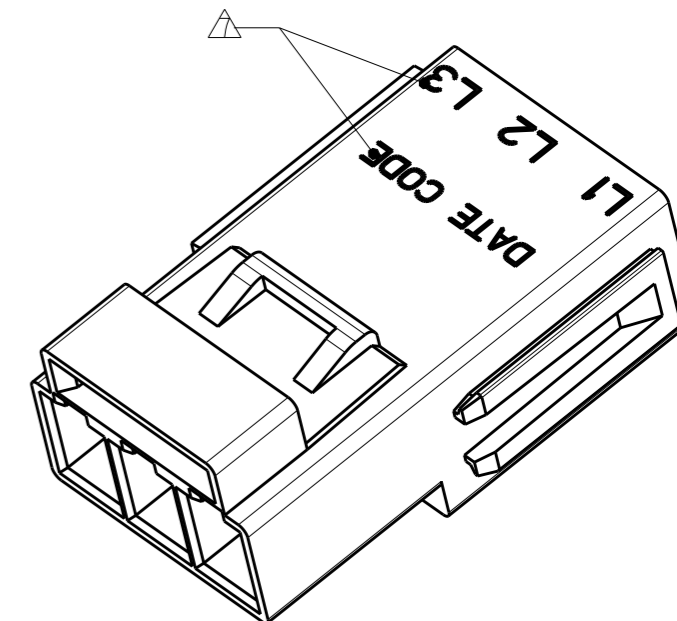
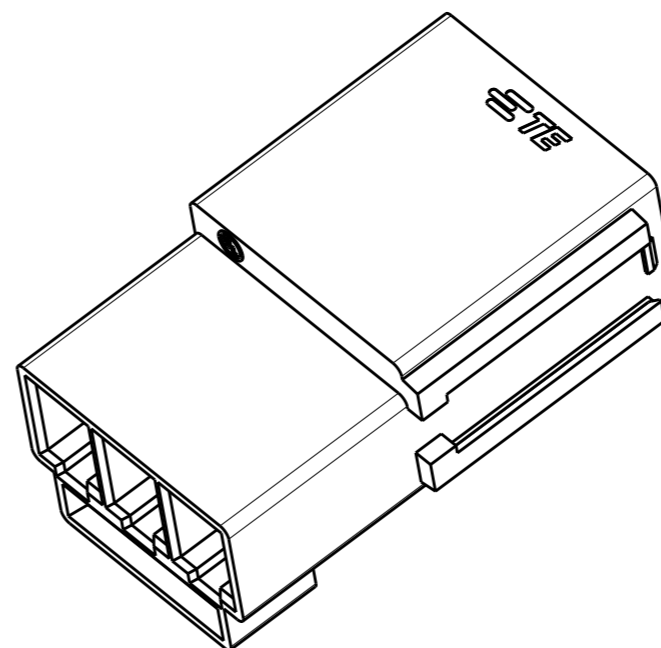
ALL RIGHTS RESERVED.

REVISIONS

| P | LTR | DESCRIPTION | DATE | DWN | APVD |
|---|-----|-------------|------|-----|------|
|   |     | SEE SHEET 1 |      |     |      |
|   |     |             |      |     |      |
|   |     |             |      |     |      |




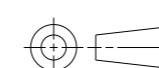
DATE CODE  
 YY WW X  
 ↑ ↑ ↑  
 YY=YEAR  
 EX: 15=2015  
 WW=WEEK  
 EX: 12=12  
 X=DAY  
 EX: 5=5



|             |            |
|-------------|------------|
| 1-2834055-4 | RED        |
| 1-2834055-3 | ORANGE     |
| 1-2834055-2 | BLACK      |
| 1-2834055-1 | NATURAL    |
| PART NUMBER | PART COLOR |

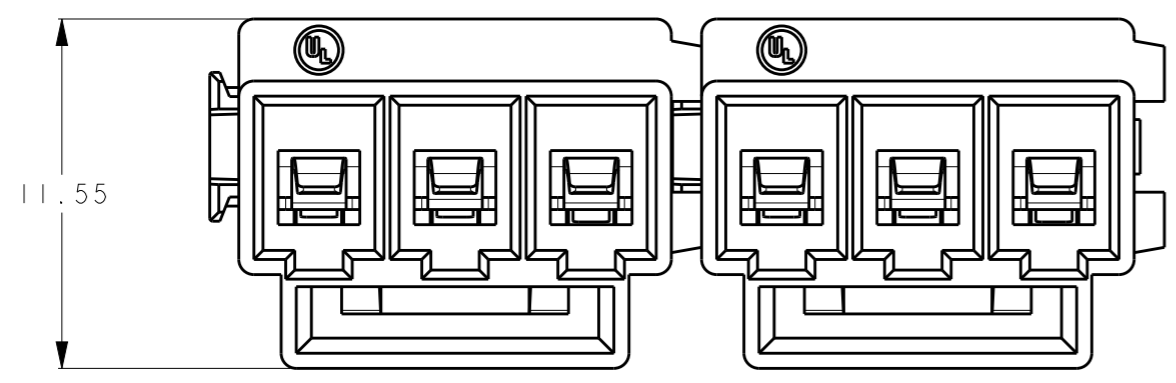
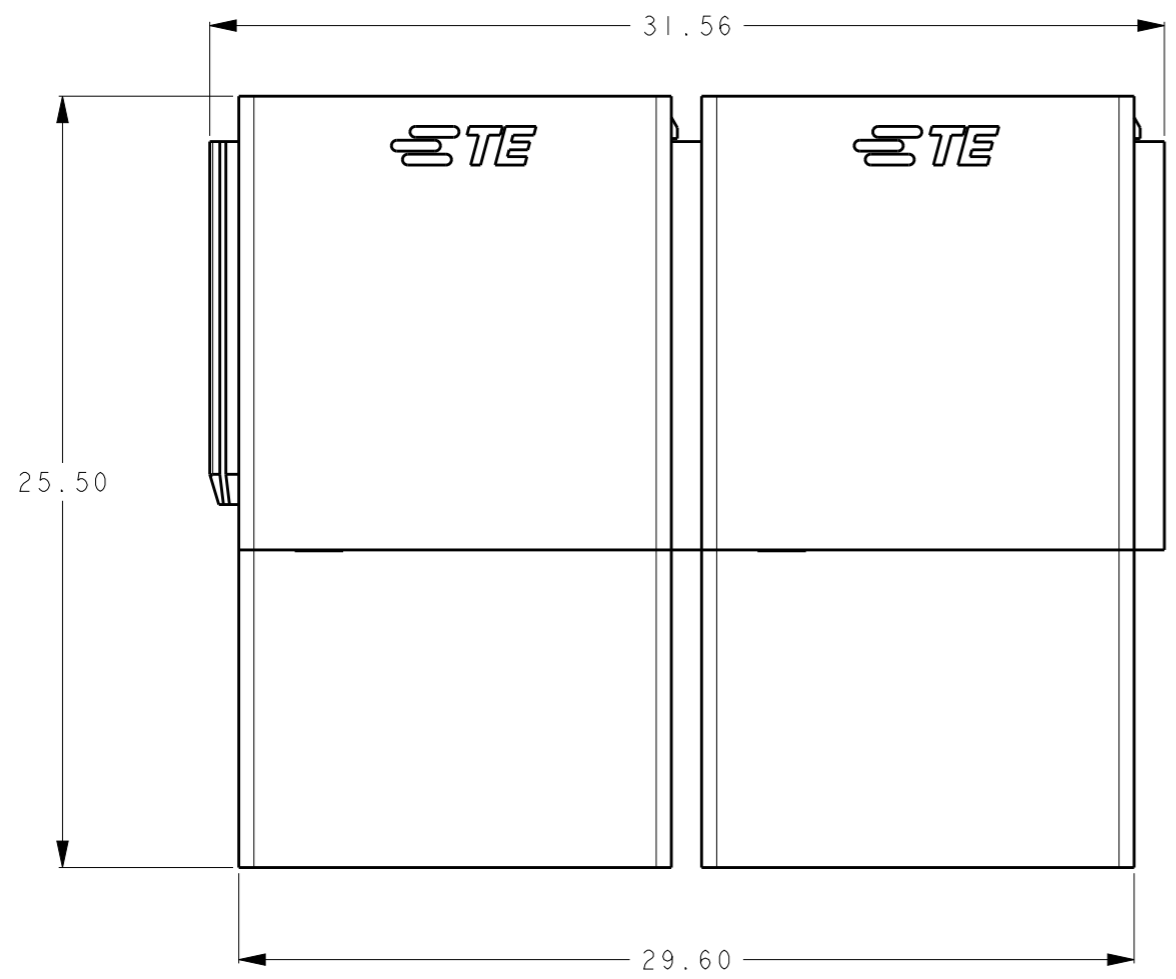
NOTE:

- PART NUMBER: SEE TABLE.
  - MATERIAL:  
 TERMINAL: COPPER ALLOY  
 HOUSING: THERMOPLASTIC, UL94-V0.
  - FINISH  
 TERMINAL: TIN PLATING OVERALL.
  - PACKAGING: PLASTIC BAG.
  - APPLICABLE WIRE:  
 SOLID: 18-22AWG  
 STRANDED WIRE: 16-20AWG(26 STRANDS MAX. FOR 16AWG  
 16 STRANDS MAX. FOR 18AWG, 7 STRANDS MAX. FOR 20AWG)
- △ MARK APPROXIMATION LOCATION.

|   |  |                                |   |  |
|---|--|--------------------------------|---|--|
| THIS DRAWING IS A CONTROLLED DOCUMENT.  |  | DWN 18DEC2015<br>ZHANG WEI     |  TE Connectivity |  |
| DIMENSIONS:<br>mm   |  | CHK 18DEC2015<br>SHI MING      |   |  |
|  |  | APVD 18DEC2015<br>XU XIANG     | NAME<br>3 PIN WIRE TO WIRE CONNECTOR<br>REC ASSEMBLY  |  |
| TOLERANCES UNLESS OTHERWISE SPECIFIED:<br>±0.50                                       |  | PRODUCT SPEC<br>108-137160     | SIZE CAGE CODE DRAWING NO RESTRICTED TO   |  |
| 0-PLC ±<br>1-PLC ±<br>2-PLC ±<br>3-PLC ±<br>4-PLC ±<br>ANGLES ±1°                     |  | APPLICATION SPEC<br>114-137160 | A300779 C-2834055   |  |
| MATERIAL -  |  | WEIGHT 2.38g                   | SCALE 4:1 SHEET 2 OF 4 REV B  |  |
| FINISH -  |  | CUSTOMER DRAWING               |   |  |

THIS DRAWING IS UNPUBLISHED. RELEASED FOR PUBLICATION 20  
 © COPYRIGHT 20 BY - ALL RIGHTS RESERVED.


| REVISIONS |     |             |      |     |      |
|-----------|-----|-------------|------|-----|------|
| P         | LTR | DESCRIPTION | DATE | DWN | APVD |
|           |     | SEE SHEET 1 |      |     |      |
|           |     |             |      |     |      |
|           |     |             |      |     |      |



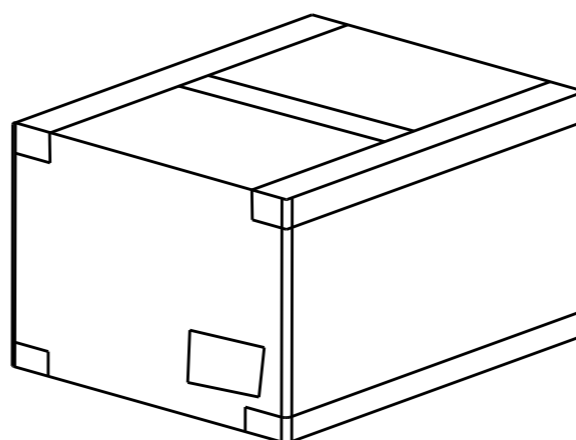
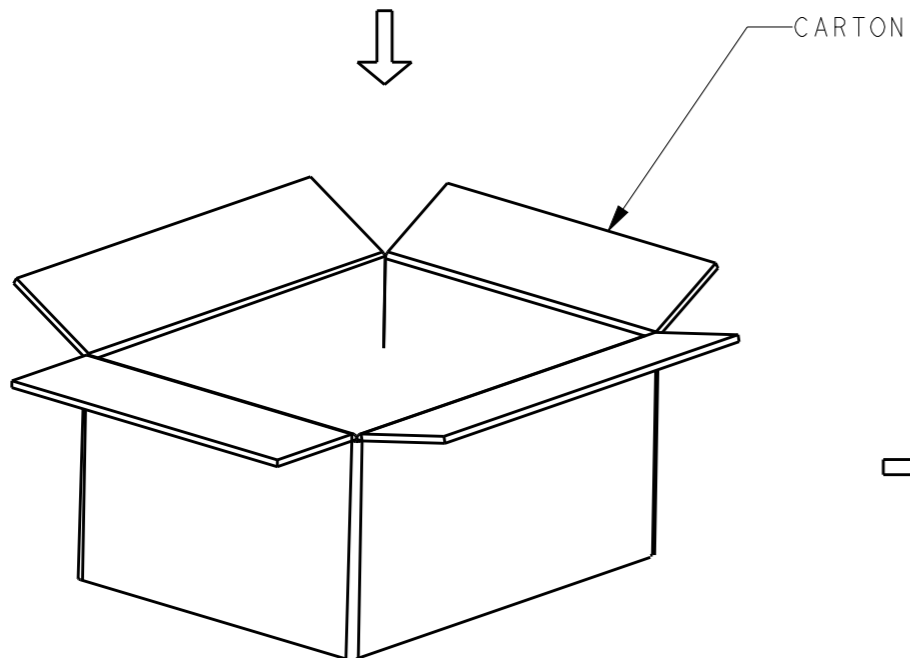
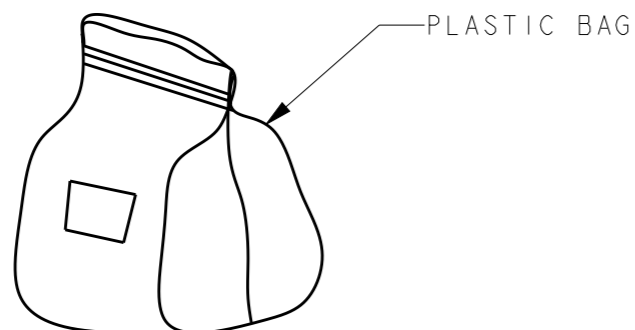
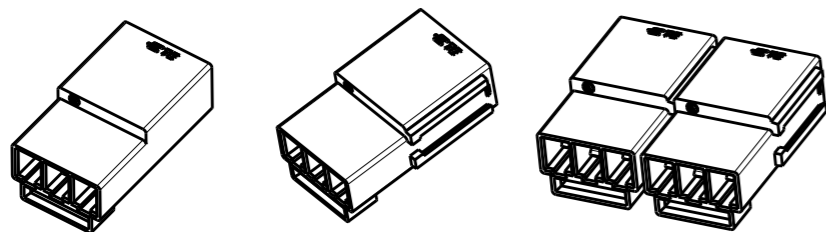
P/N: 2-2834055-1/2/3

NOTE:  
MODULE TYPE COLOR FROM LEFT TO RIGHT AS DRAWING SHOW.

| 2-2834055-3 | 1    | 1-2834055-3 | ORANGE     |
|-------------|------|-------------|------------|
|             | 1    | 1-2834055-3 | ORANGE     |
| 2-2834055-2 | 1    | 1-2834055-4 | RED        |
|             | 1    | 1-2834055-2 | BLACK      |
| 2-2834055-1 | 1    | 1-2834055-2 | BLACK      |
|             | 1    | 1-2834055-1 | NATURAL    |
| PART NUMBER | Q'TY | MADE FROM   | PART COLOR |

|   |  |                                |   |                 |
|---|--|--------------------------------|---|-----------------|
| THIS DRAWING IS A CONTROLLED DOCUMENT.                            |  | DWN<br>ZHANG WEI<br>18DEC2015  |  TE Connectivity |                 |
| DIMENSIONS:<br>mm   |  | CHK<br>SHI MING<br>18DEC2015   |   |                 |
| TOLERANCES UNLESS OTHERWISE SPECIFIED:<br>±0.50                   |  | APVD<br>XU XIANG<br>18DEC2015  | NAME<br>3 PIN WIRE TO WIRE CONNECTOR<br>REC ASSEMBLY  |                 |
| 0-PLC ±<br>1-PLC ±<br>2-PLC ±<br>3-PLC ±<br>4-PLC ±<br>ANGLES ±1° |  | PRODUCT SPEC<br>108-137160     | SIZE<br>A300779   |                 |
| MATERIAL<br>-   |  | APPLICATION SPEC<br>114-137160 | DRAWING NO<br>C-2834055   |                 |
| FINISH<br>-   |  | WEIGHT<br>4.76g                | RESTRICTED TO<br>-  |                 |
|   |  | CUSTOMER DRAWING               | SCALE<br>2:1  | SHEET<br>3 OF 4 |
|   |  |                                | REV<br>B  |                 |

| REVISIONS |     |             |      |     |      |
|-----------|-----|-------------|------|-----|------|
| P         | LTR | DESCRIPTION | DATE | DWN | APVD |
|           | -   | SEE SHEET 1 | -    | -   | -    |
|           |     |             |      |     |      |
|           |     |             |      |     |      |



NOTE:  
1. PACKAGING QUANTITY: SEE TABLE.

| PART NUMBER | PAIRS PER BAG | BAGS PER CARTON | PAIRS PER CARTON |
|-------------|---------------|-----------------|------------------|
| 2834055-*   | 400           | 6               | 2400             |

| PART NUMBER | PAIRS PER BAG | BAGS PER CARTON | PAIRS PER CARTON |
|-------------|---------------|-----------------|------------------|
| 1-2834055-* | 400           | 6               | 2400             |

| PART NUMBER | PAIRS PER BAG | BAGS PER CARTON | PAIRS PER CARTON |
|-------------|---------------|-----------------|------------------|
| 2-2834055-* | 150           | 6               | 900              |

THIS DRAWING IS A CONTROLLED DOCUMENT.

| DIMENSIONS: | TOLERANCES UNLESS OTHERWISE SPECIFIED: |
|-------------|--|
| mm          |  |
|             | 0 PLC ±                                |
|             | 1 PLC ±                                |
|             | 2 PLC ±                                |
|             | 3 PLC ±                                |
|             | 4 PLC ±                                |
|             | ANGLES ± 1°                            |
| MATERIAL    | FINISH                                 |
| -           | -                                      |
| -           | -                                      |

|                  |            |           |
|------------------|------------|-----------|
| DWN              | ZHANG WEI  | 18DEC2015 |
| CHK              | SHI MING   | 18DEC2015 |
| APVD             | XU XIANG   | 18DEC2015 |
| PRODUCT SPEC     | 108-137160 |           |
| APPLICATION SPEC | 114-137160 |           |
| WEIGHT           | -          |           |
| CUSTOMER DRAWING |            |           |

|  |           |            |               |                 |  |
|--|-----------|------------|---------------|-----------------|--|
|  |           |            |               | TE Connectivity |  |
| NAME<br>3 PIN WIRE TO WIRE CONNECTOR<br>REC ASSEMBLY |           |            |               |                 |  |
| SIZE   | CAGE CODE | DRAWING NO | RESTRICTED TO |                 |  |
| A3   | 00779     | C=2834055  | -             |                 |  |
| SCALE  |           | SHEET      | OF            | REV             |  |
| 2:1  |           | 4          | 4             | B               |  |

# Mouser Electronics

Authorized Distributor

Click to View Pricing, Inventory, Delivery & Lifecycle Information:

[TE Connectivity:](#)

[2834055-1](#)